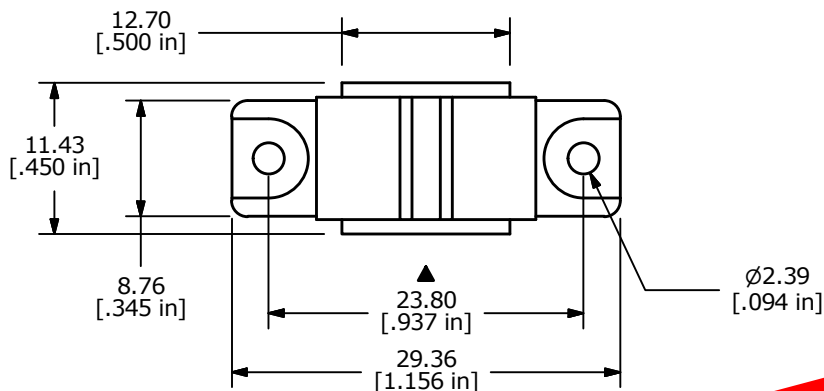
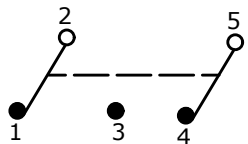
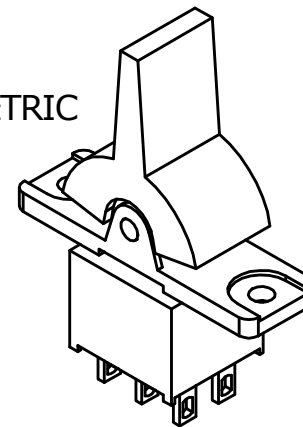


SWITCH FUNCTION		
POS. 1	POS. 2	POS. 3
ON	ON	(ON)
2-3, 5-6	2-3, 5-4	2-1, 5-4

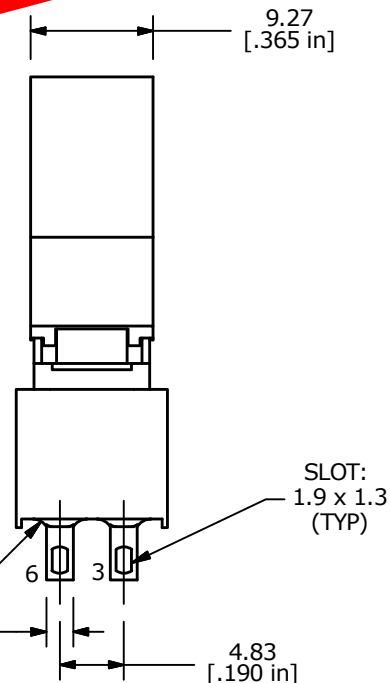
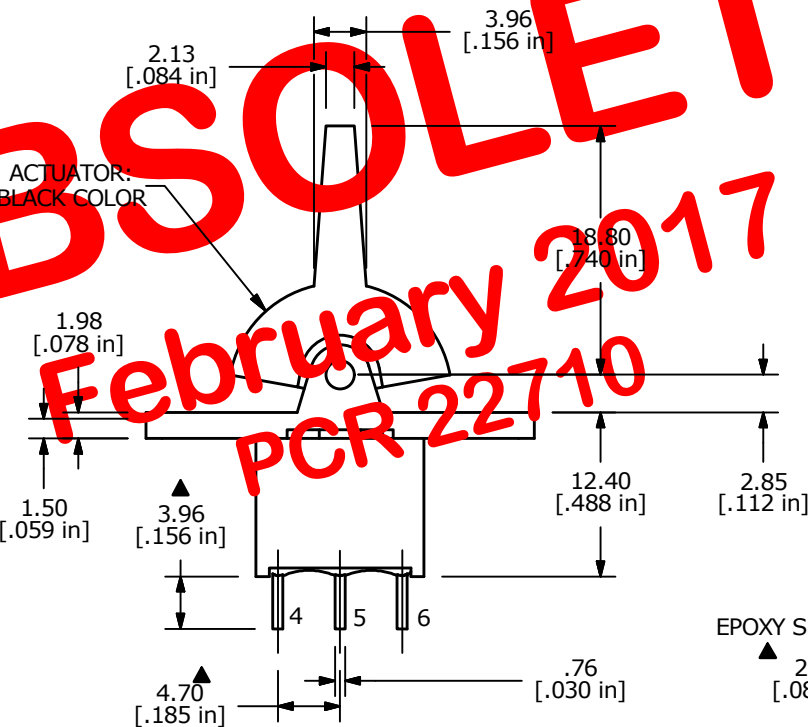
(ON) = MOMENTARY



ISOMETRIC



CIRCUIT: SPDT



**OBSOLETE**  
**February 2017**  
**PCR 22710**

NOTE:

1. ALL DIMENSIONS IN MM [INCH]
2. GENERAL TOLERANCE: X.X=±0.4  
X.XX=±0.25
3. TERMINAL NUMBERS FOR REF ONLY
- ▲ 4. PLATING MATERIAL: SILVER
5. RATING: 5 AMPS @ 120VAC OR 28VDC UL, CUL  
2 AMPS @ 250VAC UL, CUL
6. ELECTRIC LIFE: 30,000 MAKE-AND-BREAK CYCLES AT FULL LOAD.
7. INSULATION RESISTANCE: 1,000 MEGA-OHM MIN.
8. DIELECTRIC STRENGTH: 1,000 V RMS @SEA LEVEL.
9. OPERATING TEMP.: -30°C to 85°C
10. ▲ DENOTES CRITICAL PARAMETER.
11. 2002/95/EC (ROHS) COMPLAINT



TITLE 300AWDP8R2BLKM1QE				
SCALE 2:1	DATE 4/14/2009	DR BLR	DWG T302021	REV A

A	18483	RELEASE FOR PRODUCTION	4/14/09	BLR
REV	PCR NO	DESCRIPTION	DATE	BY

THE INFORMATION CONTAINED IN THIS DOCUMENT IS PROPRIETARY TO E-SWITCH AND IS NOT TO BE COPIED OR TRANSFERRED